

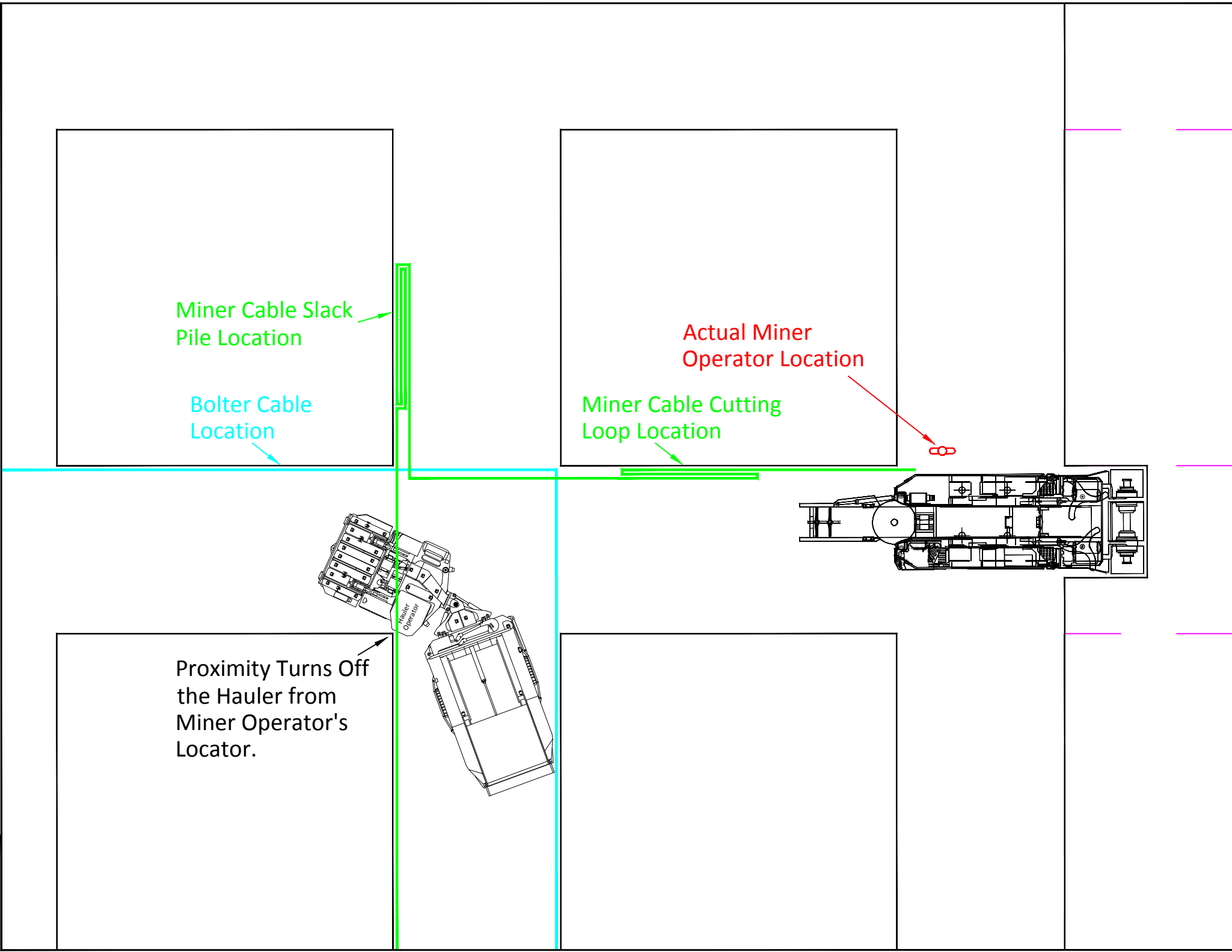
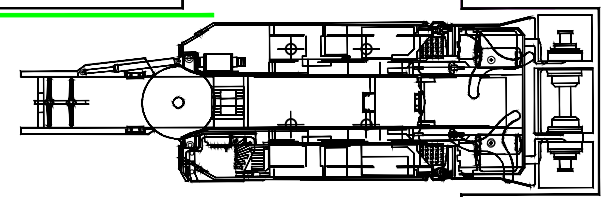
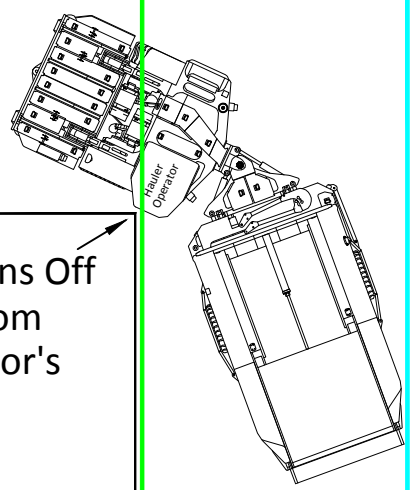
Miner Cable Slack
Pile Location

Bolter Cable
Location

Actual Miner
Operator Location

Miner Cable Cutting
Loop Location

Proximity Turns Off
the Hauler from
Miner Operator's
Locator.



Miner Cable Slack
Pile Location

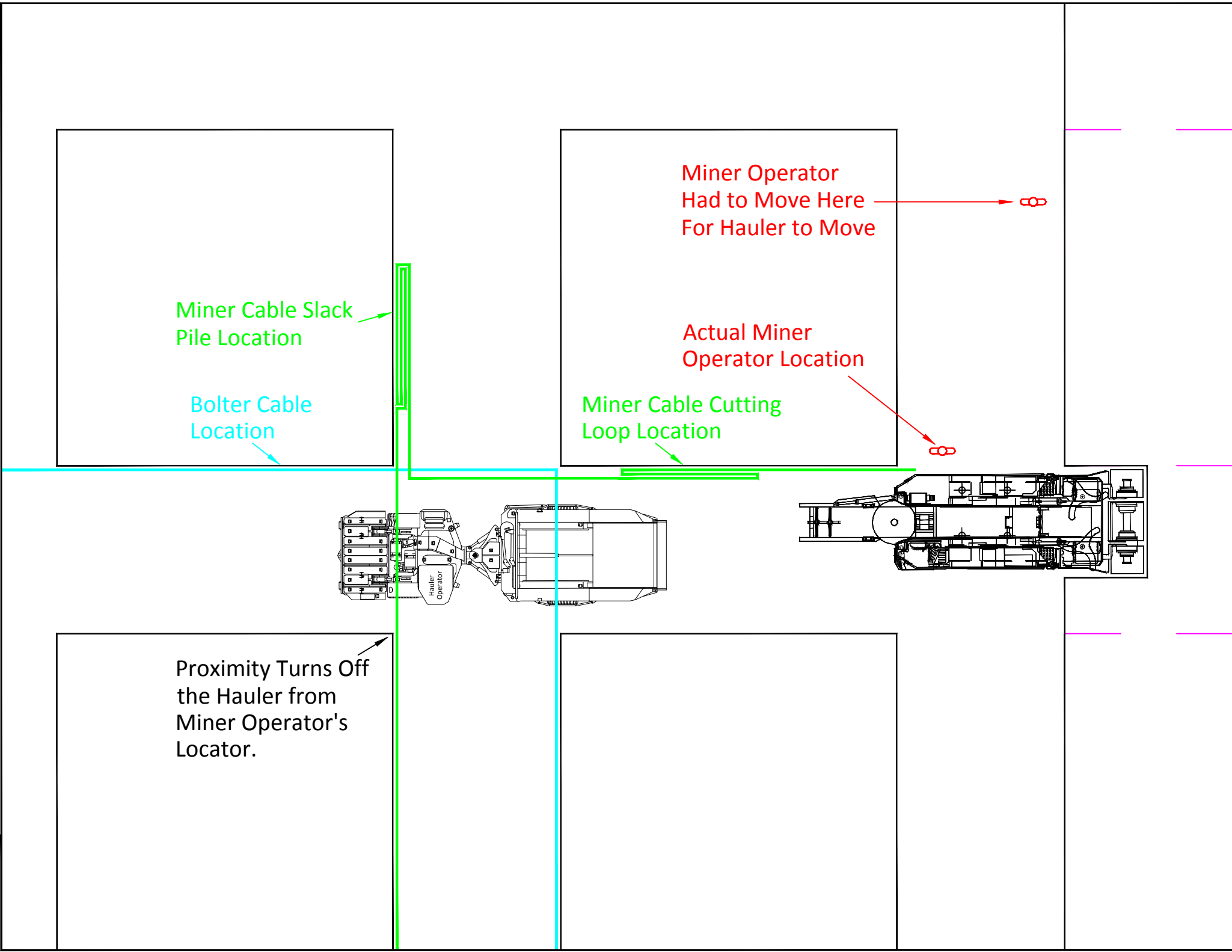
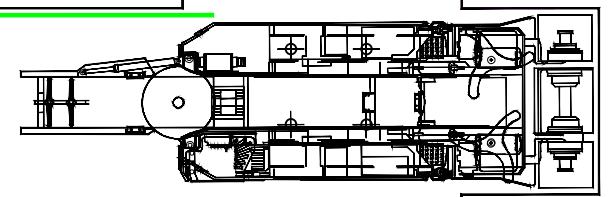
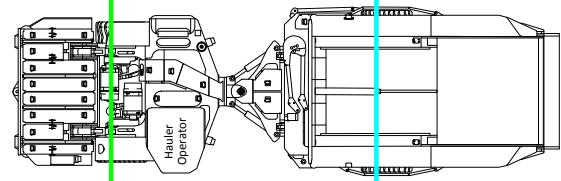
Bolter Cable
Location

Miner Operator
Had to Move Here
For Hauler to Move

Actual Miner
Operator Location

Miner Cable Cutting
Loop Location

Proximity Turns Off
the Hauler from
Miner Operator's
Locator.



Normal (Tram) Zone - Lighter
Miner Approach Tram - Darker

